



Model # PDYAE106



Model # PDYAE107

LIFT-n-LOK's unique features will provide reliable, quick and easy access to all your equipment from reels to lures and even the smallest hooks remain in the correct compartment.

Until now the useful combination of a lidded bin and drawers has resulted in a tackle box with a time consuming opening and closing sequence, these units also had the possibility of being picked up while unfastened, spilling the contents. This frustrating occurrence is now confined to the past.

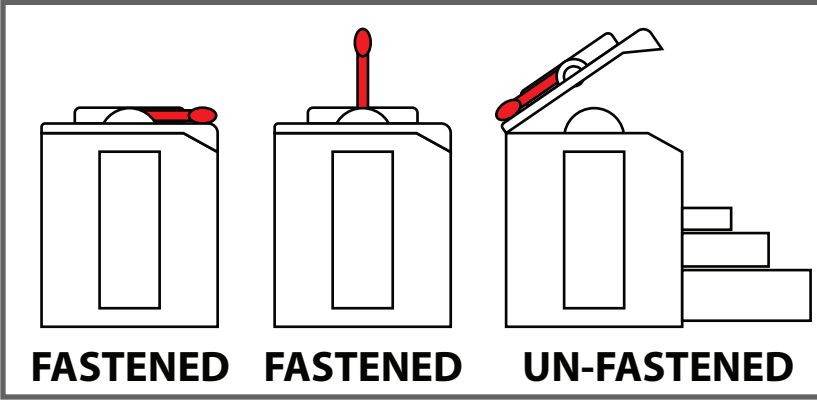
ONLY LIFT-n-LOK DELIVERS ALL THESE FEATURES

- Our patented system has the quickest fastening system on the market for a tackle system with both a storage bin and drawers and is the only truly fail safe system on the market.
- AUTOMATIC gap closing system prevents mixture between drawer compartments.
- NO fragile latches or doors needed, drawers and lid are fastened AUTOMATICALLY.
- Supreme ease of use even when wearing gloves or with cold fingers.
- Drawers can be easily removed for cleaning.
- Drawer dividers are removable to customize the storage configuration.

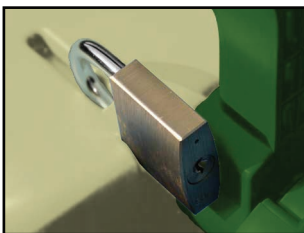
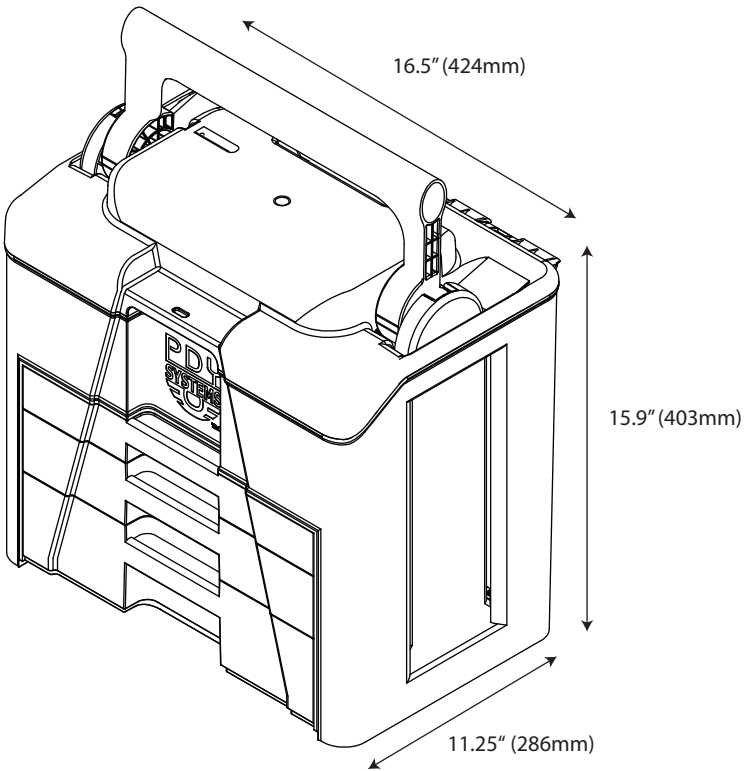
PLEASE ORDER FROM:



TECHNICAL INFORMATION

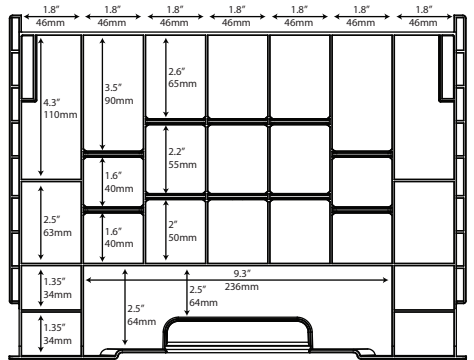


The cam attached to the ends of the handle lifts the drawers as the handle is raised, this secures the lid, closes the clearance gap between the drawers and interlocks them with the carcass. The system ensures that no extra effort is required above that needed to lift the unit. The handle can then be moved to the forward position for storage.

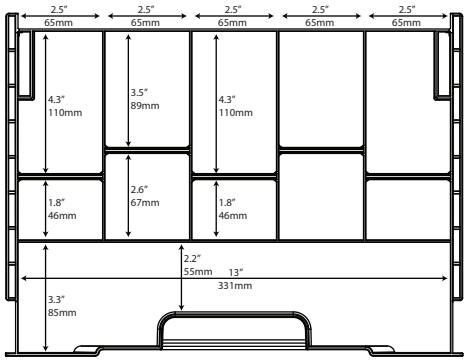


DRAWERS AND LID ARE LOCKED WITH A SINGLE 1.5" (40mm) PADLOCK (Padlock not Included)

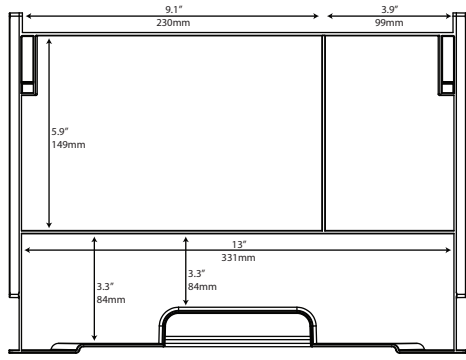
Material	TF Polypropylene
Weight	9lb 10oz (4.45kg)
Volume Information	
Top Bin	938 cu in (15.37 cu lit)
Top Drawer	186 cu in (3.04 cu lit)
Middle Drawer	283 cu in (4.65 cu lit)
Lower Drawer	317 cu in (5.20 cu lit)



Top Drawer
1.75" (45mm) Deep



Middle Drawer
2.5" (65mm) Deep



Lower Drawer
2.9" (75mm) Deep

ALL WEIGHTS AND MEASUREMENTS ARE APPROXIMATE AND ARE INCLUDED AS A GUIDE ONLY