



Model #PDYAE100



Model #PDYAE101



Model #PDYAE102



Model #PDYAE103



Model #PDYAE104



Model #PDYAE105



LIFT-n-LOK's unique features will provide reliable, quick and easy access to all your essential tools, equipment and parts, enabling even the smallest of components to be located.

Suitable for every use, from Service Engineers on call out to RC Enthusiasts, DIY'ers and Hobbyists.

Until now the useful combination of a tool bin and drawers has resulted in a storage unit with a time consuming opening and closing sequence, these units also had the possibility of being picked up while unfastened, spilling the contents. This frustrating occurrence is now confined to the past.

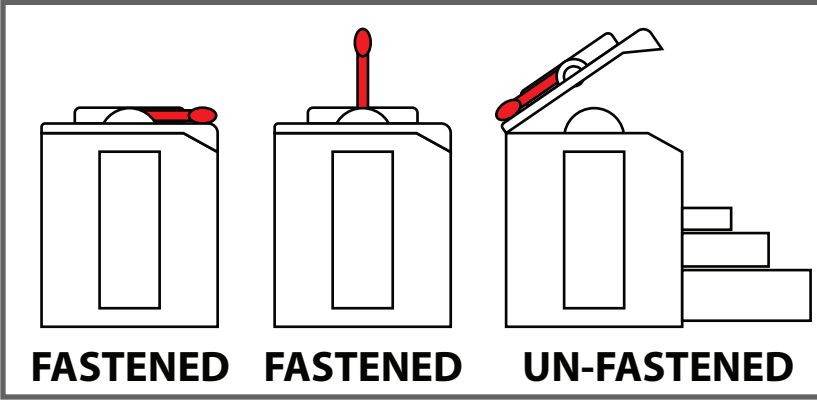
#### **ONLY LIFT-n-LOK DELIVERS ALL THESE FEATURES**

- Our patented system has the quickest fastening system on the market for a storage system with both a storage bin and drawers and is the only truly fail safe system on the market.
- AUTOMATIC gap closing system prevents mixture between drawer compartments.
- NO fragile catches or doors needed, drawers and lid are fastened AUTOMATICALLY.
- Drawers can be removed for cleaning.
- Drawer dividers are removable to customize the storage configuration.
- Supreme ease of use even when wearing gloves or with cold fingers.

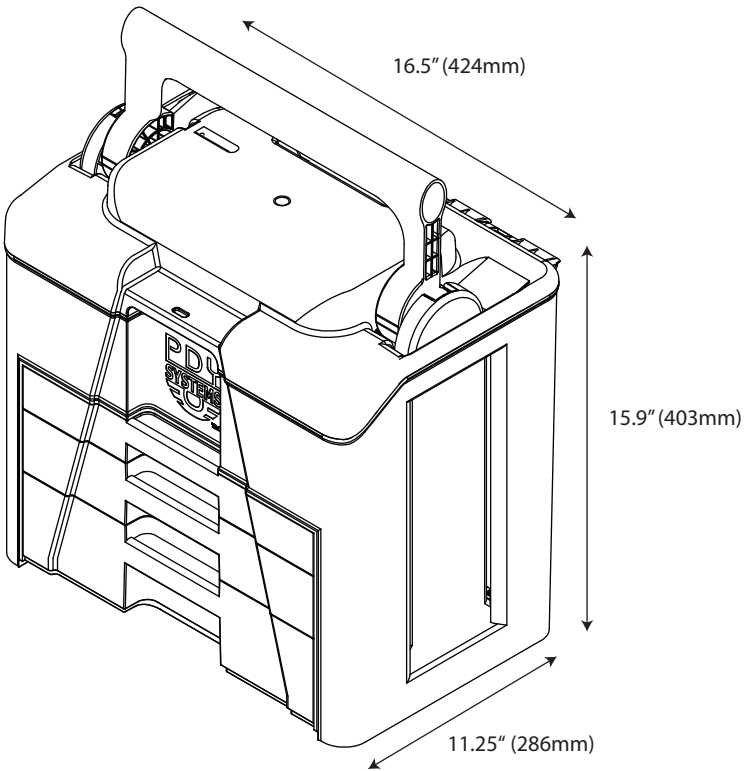
**PLEASE ORDER FROM:**



# TECHNICAL INFORMATION

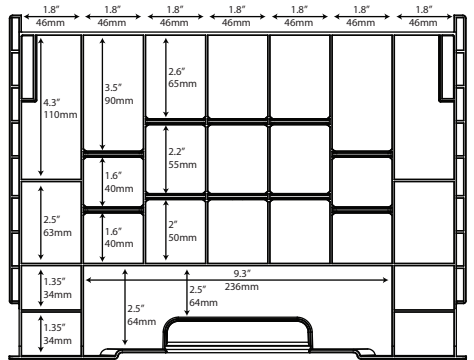


The cam attached to the ends of the handle lifts the drawers as the handle is raised, this secures the lid, closes the clearance gap between the drawers and interlocks them with the carcass. The system ensures that no extra effort is required above that needed to lift the unit. The handle can then be moved to the forward position for storage.

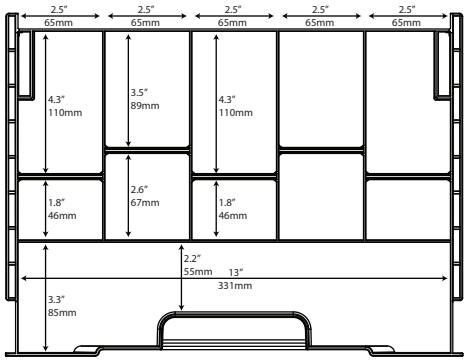


DRAWERS AND LID ARE LOCKED WITH A SINGLE 1.5" (40mm) PADLOCK (Padlock not Included)

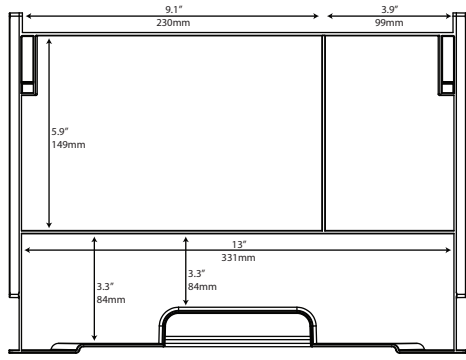
|                    |                          |
|--------------------|--------------------------|
| Material           | TF Polypropylene         |
| Weight             | 9lb 10oz (4.45kg)        |
| Volume Information |                          |
| Top Bin            | 938 cu in (15.37 cu lit) |
| Top Drawer         | 186 cu in (3.04 cu lit)  |
| Middle Drawer      | 283 cu in (4.65 cu lit)  |
| Lower Drawer       | 317 cu in (5.20 cu lit)  |



**Top Drawer**  
1.75" (45mm) Deep



**Middle Drawer**  
2.5" (65mm) Deep



**Lower Drawer**  
2.9" (75mm) Deep

ALL WEIGHTS AND MEASUREMENTS ARE APPROXIMATE AND ARE INCLUDED AS A GUIDE ONLY